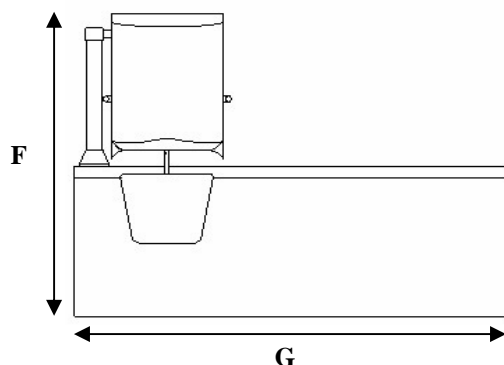
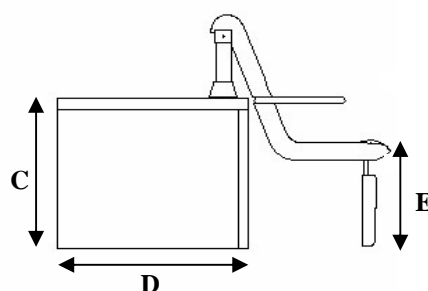
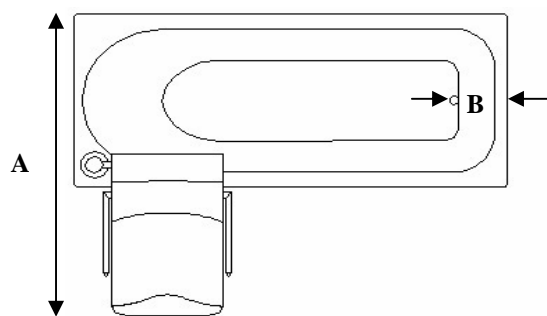


Windsor Pre Installation Requirements

This document details the exact requirements which must be in place to ensure the bath can be installed in a trouble free manner.



Bath Positioning

When deciding on the positioning of the bath there are a number of points that should be taken into consideration:

1. Hoist/wheelchair access
2. Service/cleaning access
3. Under floor pipe work or cabling
4. Conflict between bathroom door and bath seat when in out position
5. Distance from walls/other objects

If you need further assistance in deciding on positioning please contact your representative for advice.

DIMENSIONS

A 1390mm B 210mm C 640mm
D 750mm E 485mm F 1305mm
G 1700mm or 1500mm

Access

Minimum dimensions for access purposes can be found above.

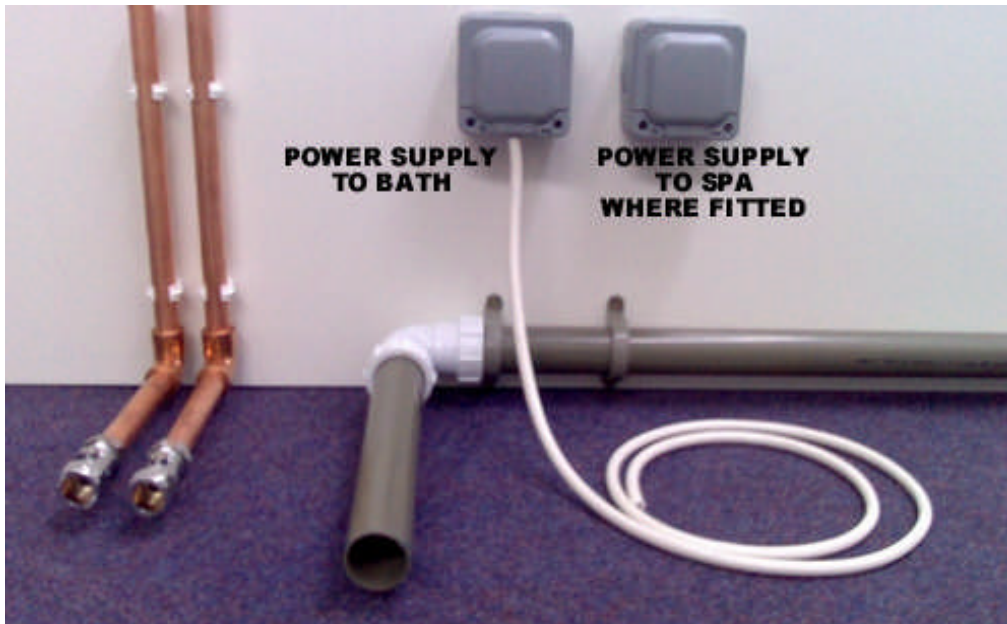
Should it be required to reduce the weight of the bath in order to carry it upstairs please refer to the fitting instructions, supplied with the bath, for details or call the technical help line on 0870 066 0809.

Services Positioning

1. ¾” BSP Male cold water inlet, 150mm from the floor, against the wall, 200mm from the right hand side of the front (tap end) of the bath.
2. ¾” BSP Male hot water inlet, 150mm from the floor, against the wall, 280mm from the right hand side of the front of the bath.
3. 40mm Waste outlet @ 3ltr/Sec, 30mm from the floor, against the wall, 375mm from the right hand side of the front of the bath.
4. 5Amp IP65 Non Switch Fused Spur, with 2m of 1.5mm 3 core round flex trailing. Located within 200mm of the tap end of the bath, positioning and specification to be in accordance with IEE regulations.

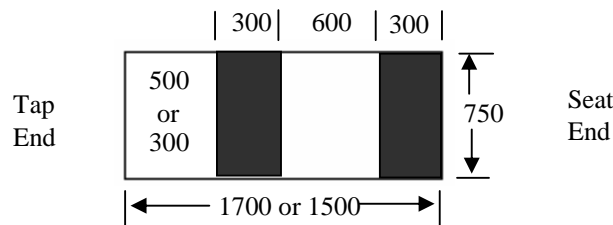
Additional power supply required if Spa Option fitted to bath

5. 13Amp IP rated Non Switched Fused Spur. Located within 80mm of the tap end of the tap end of the bath, positioning and specification to be in accordance with IEE regulations.



It is important that the installer is made aware of the location of water stop cocks and mains electric RCD/trip switch on arrival to the property.

Floor Fixing Points



Floor Space Under Bath. All dimension in millimetres

The floor directly under the bath must be a sound, solid and even surface. Particular attention should be paid to the shaded areas on the above plan which will be drilled to a depth of 100mm for fixing points, and must be of sound construction with no buried services.

Electrical Connection & Earth Bonding

An 30mA RCCD or RCBO is required in compliance with current IEE regulations, this should be located just outside of the bathroom or on the consumer unit covering that area of the building.

10mm Earth Bonding and a minimum of 4mm Cross Bonding is to be fitted and tested for continuity accordance with IEE regulations.

Water Pressure Requirement

As the Windsor bath requires a type 3 Heatguard Thermostatic Mixing Valve, which has been manufactured to NHS model engineering specification D08 and approved under the TMV3 scheme, please read the following which outlines how a TMV3 may effect the use of your bath.

The working parameters of the TMV3 require a water pressure of 1-5 bar with a maximum pressure loss ratio of no greater than 10:1 between hot and cold feeds.

It is important to note that a pressure difference between hot and cold pipes will have a great effect on the time it takes to fill a bath, i.e;

Hot water 1.4 bar and Cold water 2.4 bar = Approx. 9min. to fill bath with 180 litres

Hot water 2.2 bar and Cold water 2.2 bar = Approx. 5min. to fill bath with 180 litres

If in doubt a pressure test should be carried out prior to installation of the bath, and if, required a booster pump or pressure reducing valves fitted.

Please note that the optional Shepherds Crook Shower Attachment requires a second TMV3.