



Pegasus™ Aircare

Mattress Overlay System

Models 2200 and 2201



User Guide



PEGASUS™ AIRCARE

Mattress Overlay System

Models 2200 and 2201



The **PEGASUS AIRCARE** Overlay system provides optimum care for patients with some mobility problems, who are vulnerable to pressure damage and/or who have superficial sores.

The system can be used in all care environments.

The system can be supplied with either:

A standard alternating mattress overlay providing regular periods of pressure reduction to aid blood flow to vulnerable tissue, or

A mattress overlay with low air loss that promotes an optimum environment at the skin/overlay interface.

It also offers variable pressure settings for optimum patient support.

PEGASUS™ AIRCARE

Mattress Overlay System

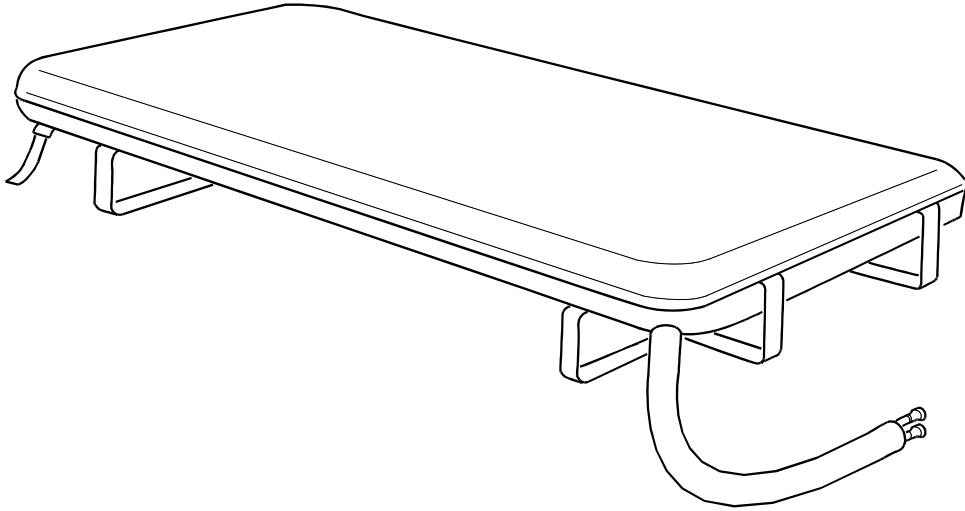
Models 2200 and 2201

TABLE OF CONTENTS

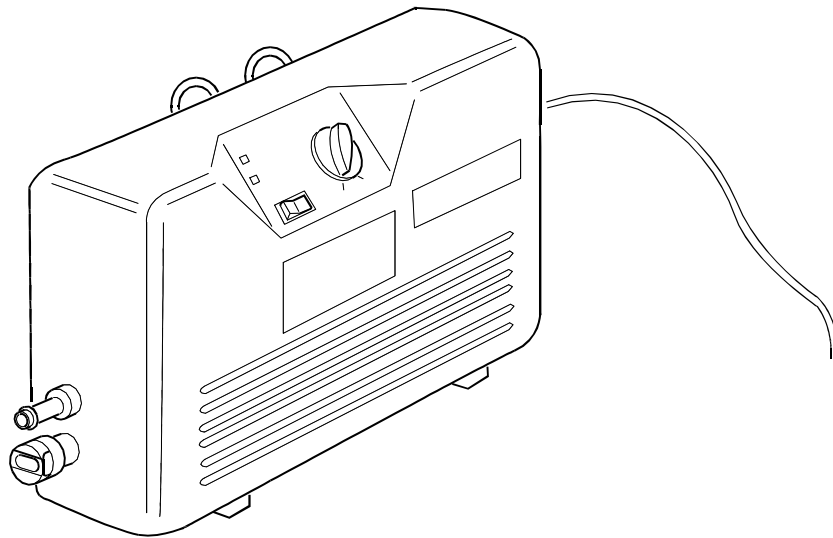
SECTION		PAGE
A	LIST OF PARTS	2
B	GENERAL	3
	Introduction	3
	System Description	3
C	SETTING UP/OPERATION	4
	Setting Up	4
	Operation	5
	Removal	5
D	CPR/REANIMATION	6
	System Running Normally	6
	Moving the Bed/Power Cuts	7
E	MOVING THE BED AND POWER CUTS	7
	Mattress	7
	Power Unit	7
F	ALARMS AND FAULTFINDING	7
	Alarms	7
	Faultfinding	8
G	INFECTION CONTROL AND CLEANING	9
	Infection Control	9
	Cleaning Guidelines	9
H	TECHNICAL SPECIFICATIONS	11

SECTION A - LIST OF PARTS

Mattress

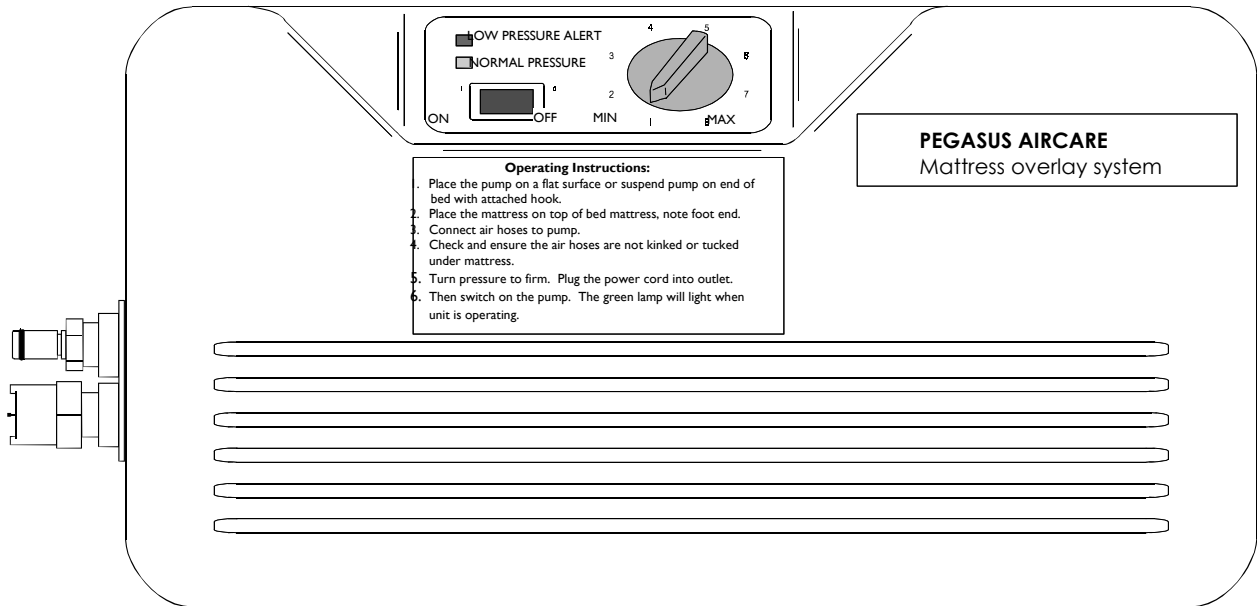


Power Unit



SECTION B - GENERAL

INTRODUCTION



The **PEGASUS AIRCARE** Mattress Overlay system is an alternating pressure mattress system providing comfort and pressure reduction to patients vulnerable to pressure damage.

It is designed for use on top of the existing mattress and can be used on both standard and profiling bed frames.

Ideally patients allocated this system will have some degree of independent mobility or can be repositioned according to individual needs.

SYSTEM DESCRIPTION

The **PEGASUS AIRCARE** Mattress Overlay system consists of a power unit and a mattress.

The power unit provides the air supply to the mattress. On the front panel is a rotary switch for setting the internal cell pressure, a green indicator showing the system is running at normal pressure, an amber 'low pressure' indicator and the mains switch.

The standard mattress has 17 cells, where the three head cells provide a static support while the remaining 14 cells alternate over an 10 minute cycle providing regular periods of pressure reduction to aid blood flow to vulnerable tissue. On the left side of the power unit are the air connectors for connecting the mattress airpipe.

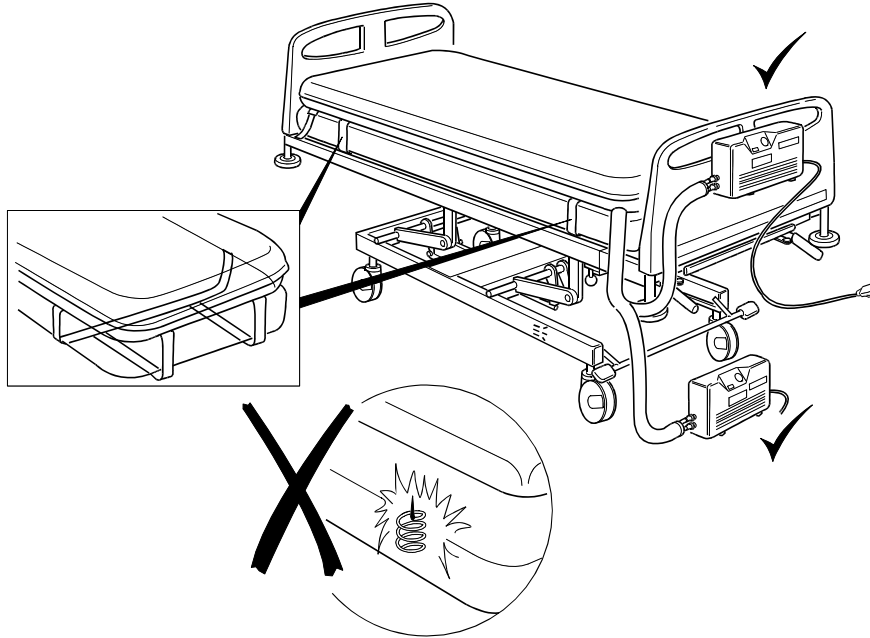
An optional low air loss mattress is available which promotes an optimum environment at the skin/overlay interface.

The comforter cover provides added comfort when used with either mattress, while assisting with the circulation of air around and beneath the patient when used with the low air loss mattress.

SECTION C - SETTING UP/OPERATION

SETTING UP

Place the overlay, in its cover, on the bed with the airpipe and power unit at the foot end. Secure the overlay firmly by fixing the elastic straps attached to the cover around the bed mattress. Ensure there are no sharp objects to damage the overlay.

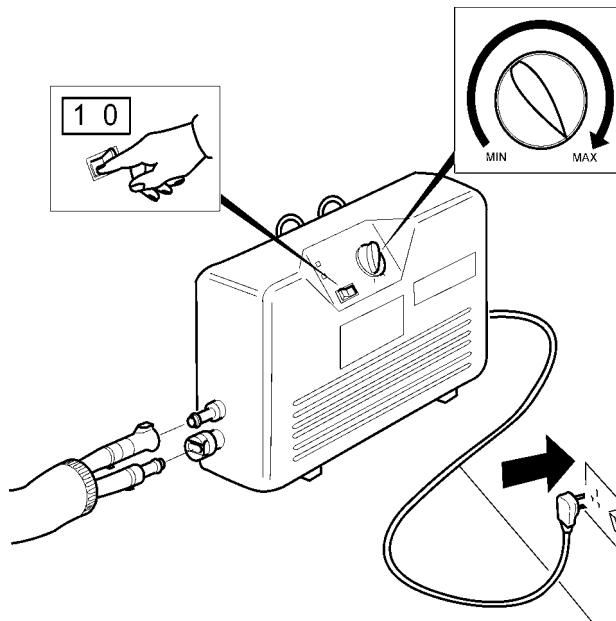


Suspend the power unit over the foot end of the bed using the hooks provided at the rear, or stand on a flat surface.

Connect the airpipe to the power unit (ensure the airpipe is not kinked or trapped between the mattress and bed).

Ensure the CPR sealing connectors are pushed fully onto the airpipes (see Section D CPR/Reanimation).

Connect the power unit to an appropriate electrical outlet, set the min/max pressure switch to Max pressure then switch on.

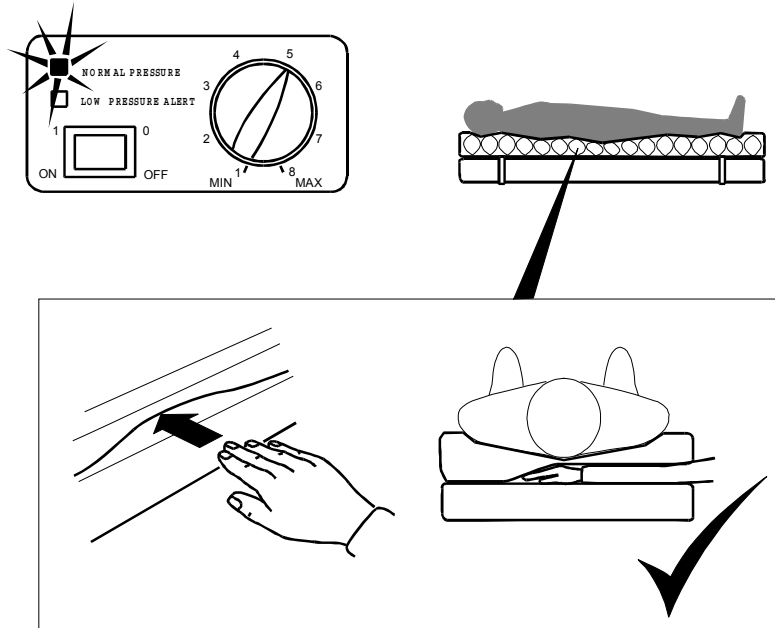


NOTE: Allow to inflate fully and cover loosely with a sheet before placing the patient on the overlay.

OPERATION

Once the patient is in place, use the pressure select rotary switch to reach the desired setting for effectivity and patient comfort.

When lowering the setting ensure the patient is not 'bottoming out' by sliding a hand under the patient's sacral area (bottom) when the cell is fully deflated. The patient should be in the supine position for this assessment.



Having established a base-line, pressure can be increased to provide added support for the semi-recumbent (sitting up) patient.

NOTE: Wait a minimum 10 minutes between any adjustment and patient assessment as it may take a full cycle for the system to adjust to the new setting.

Re-check after approximately 20 minutes that the patient is comfortable and the unit is functioning correctly.

The green 'NORMAL PRESSURE' light will be illuminate to indicate the system is functioning correctly.

If the pressure fails for whatever reason, the 'NORMAL PRESSURE' will extinguish and the amber 'LOW PRESSURE ALERT' light will illuminate.

REMOVAL

Switch off and disconnect the power unit from the electrical outlet.

Disconnect the overlay airpipes from the power unit (this will allow all cells but the three head cells to deflate).

To deflate the head cells, pull the CPR tag ensuring the sealing connectors are pulled fully off the overlay airpipes (see Section D – CPR/Reanimation).

Remove the power unit from the bed and place on the overlay.

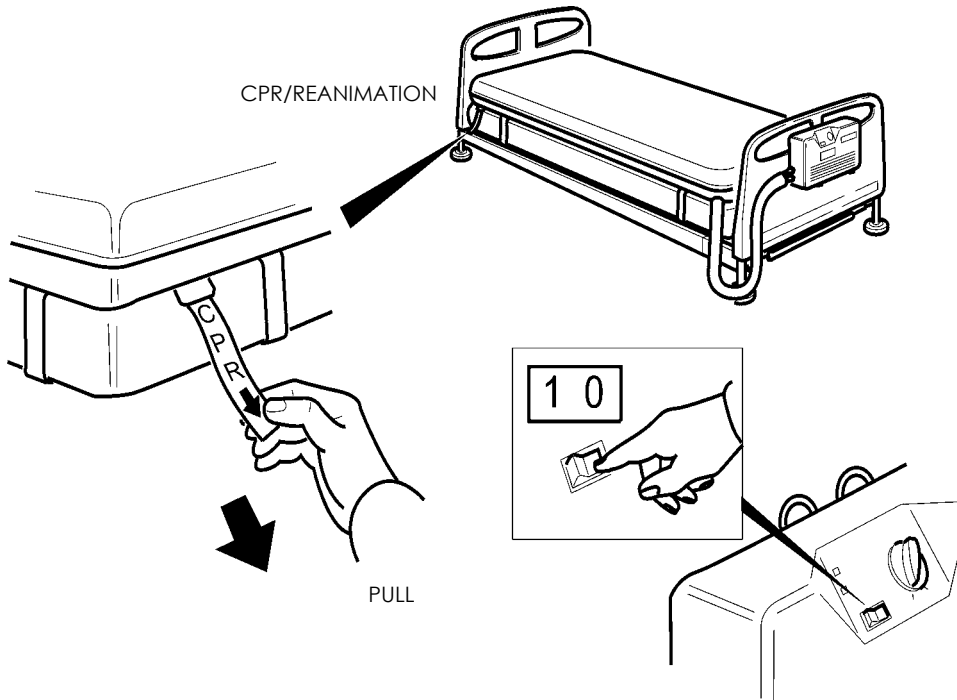
Roll up the overlay and remove from the bed.

SECTION D - CPR/REANIMATION

Deflation of the overlay may be required for emergency procedures. To deflate the overlay quickly carry out the appropriate following procedure:

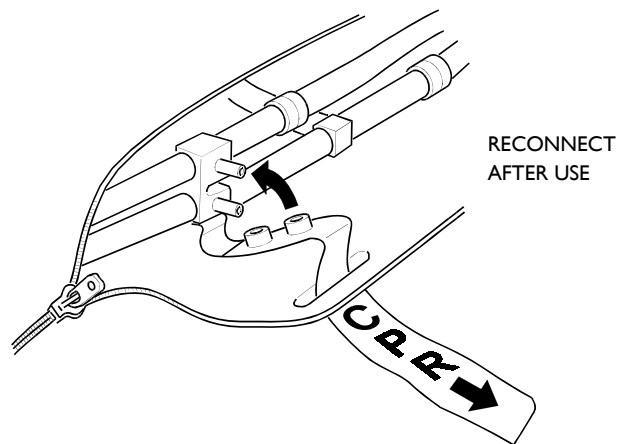
SYSTEM RUNNING NORMALLY

Pull the CPR tag at the head end of the overlay, ensuring the sealing connectors are pulled fully off the overlay airpipes.



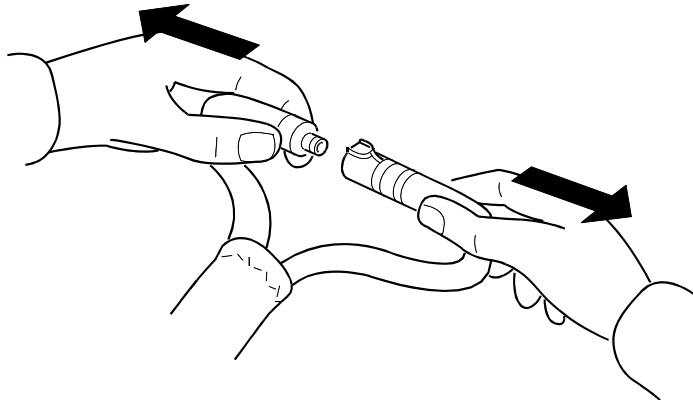
Switch the power unit off

Prior to re-starting the system, ensure the CPR tag is replaced with the sealing connectors pushed fully onto the airpipes.



MOVING THE BED/POWER CUTS

Disconnect the mattress airpipes.

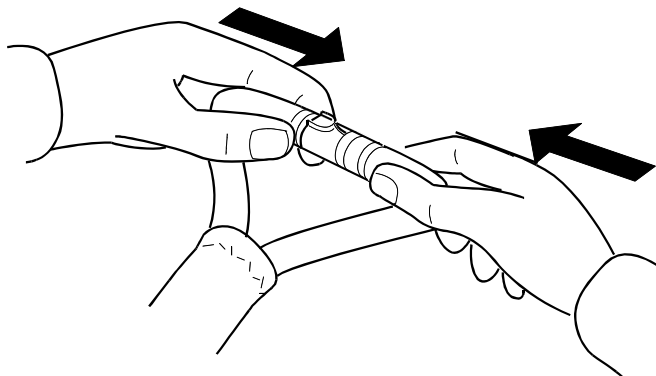


SECTION E - MOVING THE BED AND POWER CUTS

If you need to move the bed with the overlay still inflated or in the event of a major mains power failure, carry out the following procedure:

MATTRESS

Disconnect the mattress airpipes from the power unit and quickly connect the two airpipes together.



POWER UNIT

Switch the power unit OFF and disconnect from the power supply. Ensure the power lead is not left trailing on the floor.

SECTION F - ALARMS AND FAULTFINDING

ALARMS

There are no audible alarms on the PEGASUS AIRCARE system. One visual alarm (Low Pressure Alert) consisting an amber light illuminates when there is a pressure failure for whatever reason.

FAULTFINDING

Problem: Power unit will not start.

Action: Check the power unit is connected to the electrical outlet and power is on.
Check the mains plug fuse (3 Amp).
Check both 1 Amp fuses in the base of the power unit.

Problem: Power unit running, amber 'Low Pressure Alert' light illuminated, overlay fails to inflate/loses pressure.

Action: Check overlay airpipes are connected to the power unit correctly
Check CPR sealing connectors are pushed fully onto the airpipes
Check all overlay cells are pushed fully onto the airpipes

SECTION G - INFECTION CONTROL AND CLEANING

INFECTION CONTROL

Infection Control and routine cleaning must be carried out in accordance with your local Infection Control Policy.

CLEANING GUIDELINES

WARNINGS: Ensure the power unit is disconnected from the mains electricity supply before cleaning.

Do not immerse the power unit in water.

CAUTION: Do not high temperature autoclave, or use Phenolic based products for cleaning

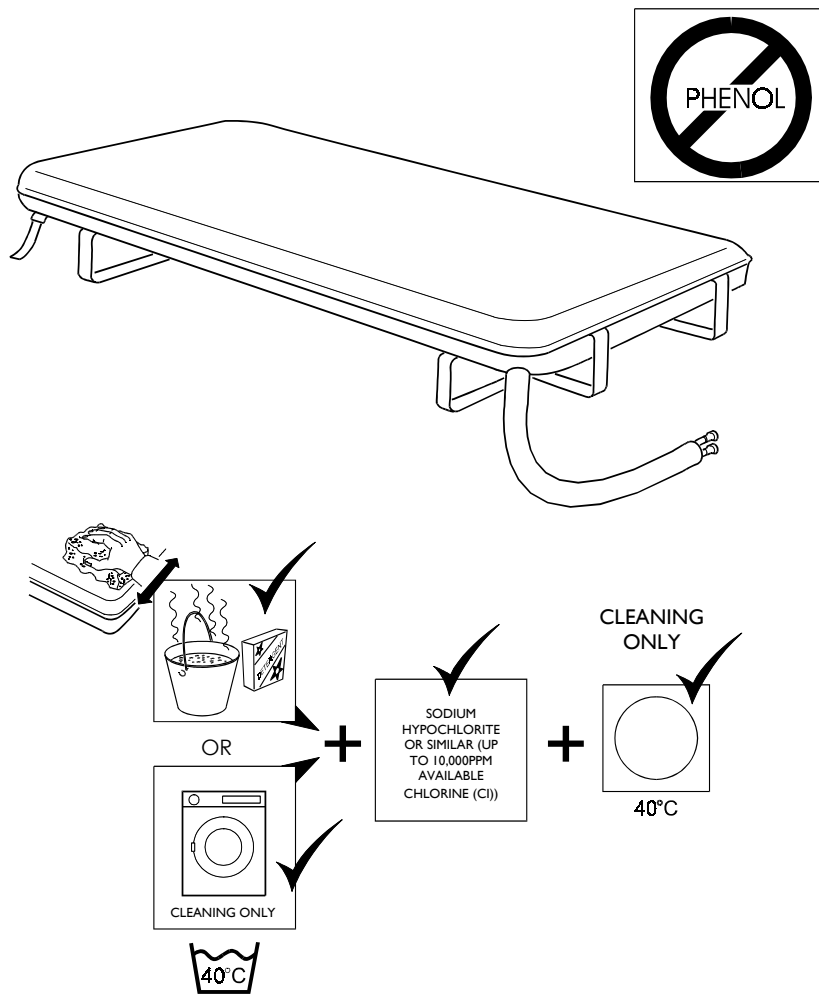
It is recommended the system is cleaned between users or approximately every 2 weeks if in constant use.

Overlay and Cover

Wipe down with warm water containing detergent, dry thoroughly before use.

The cover may also be machine washed (40°C).

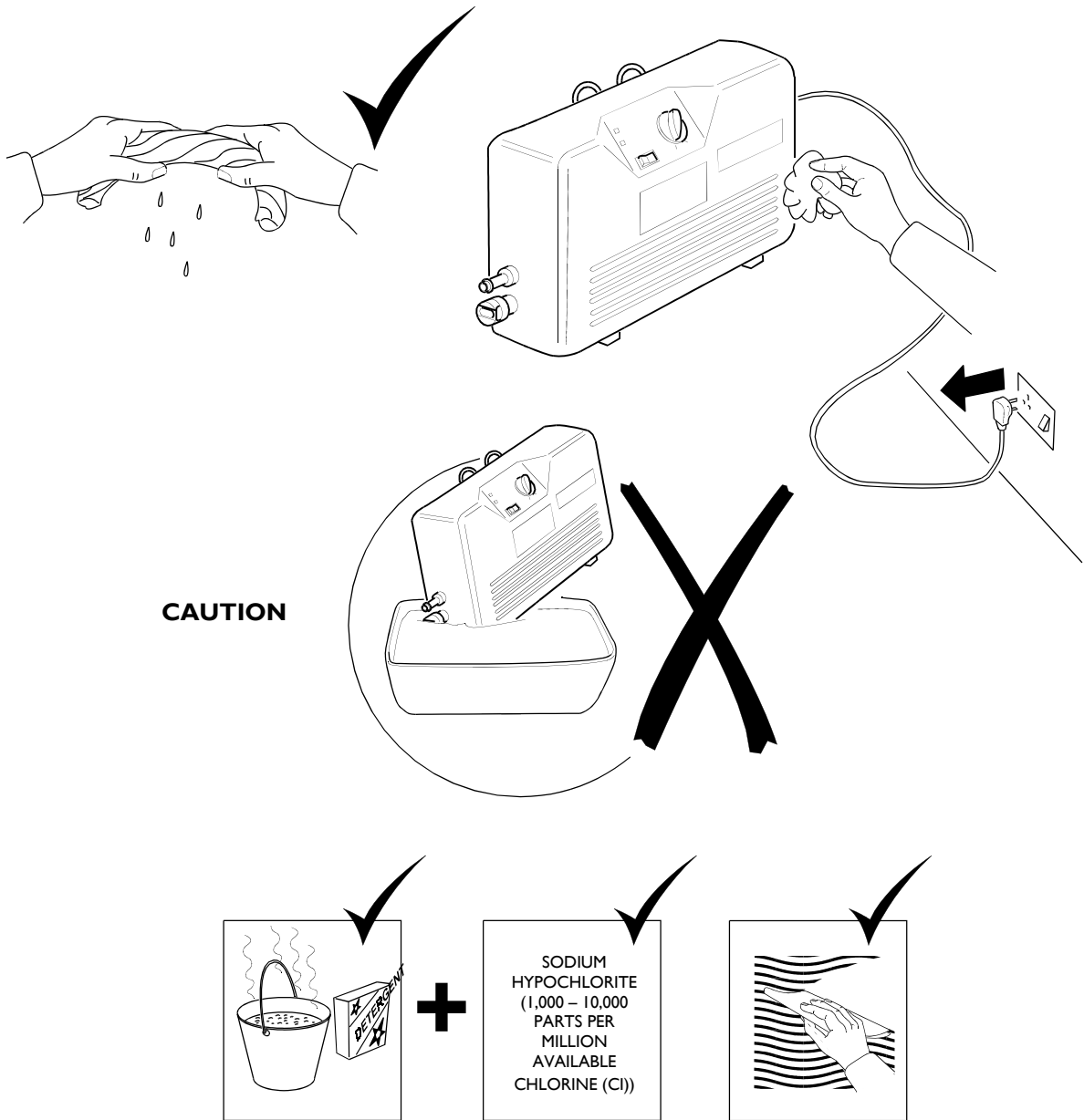
Swab with a solution of Sodium Hypochlorite or similar (up to 10,000ppm available chlorine), dry thoroughly before use.



Power Unit





Wipe down with warm water containing detergent, dry thoroughly before use.


Wipe down with a solution of Sodium Hypochlorite or similar (up to 10,000ppm available chlorine), dry thoroughly before use.



The overlay, cover and power unit may also be decontaminated by using ETO (Ethylene Oxide) or the Draeger method.

SECTION H - TECHNICAL SPECIFICATIONS

Cycle control	Purpose designed distributor valve supplying operating air to the inflatable cells.	
Cycle time	10 minutes	
Supply Voltage	230V 50Hz	
Fuse Rating	Mains Plug -	3A
Power Rating	Power Unit -	1A (x2)
Noise Level	10dBa	
Nominal dimensions	Overlay	Power Unit
	Length - 2050mm	Height - 168mm
	Width - 825mm	Width - 320mm
	Height - 145mm	Depth - 80mm
	Weight - 5.3kg	Weight - 2kg
Electrical Safety	Conforms to IEC 601-1	
Classification	Class I, Type B	
Mode of Operation	Continuous	
Symbols	 Alternating Current	
	 Mains Switch	1 (On) Power connected to the mains supply
		0 (Off) Power disconnected from mains supply
	 Type B	
Environment (Usage & Storage)	Air humidity	30% to 75%
	Ambient temperature	0°C (32°F) to 40°C (104°F)
EMC	This equipment complies with EMC requirements. If effects are noticed the affected equipments should be moved apart.	

	This product carries the CE mark in accordance with EC Directive on Medical Devices (93/42/EEC).
---	--

Pegasus Limited cannot be held responsible for any damage caused to our products (by foreign objects - needles, sharps, eating utensils, etc) other than due to normal wear and tear as defined in the product warranty agreement. Nor for any injury or incident which relates to the use of cot sides, profiling or any other mechanical or electrical device used in conjunction with this product unless supplied and/or manufactured by Pegasus Limited.



PEGASUS LIMITED

Pegasus House

Waterberry Drive Waterlooville Hampshire

PO7 7XX England

Tel: +44 (0) 23 9278 4200

Fax: +44 (0) 23 9278 4250

E-Mail: custserv@pegasus-uk.com

Website: www.pegasus-uk.com

PEGASUS,

and the associated device marks are Trademarks of Pegasus Limited.

Pegasus Limited has a policy of continuous product improvement and reserves the right to amend specifications presented in this brochure.

