

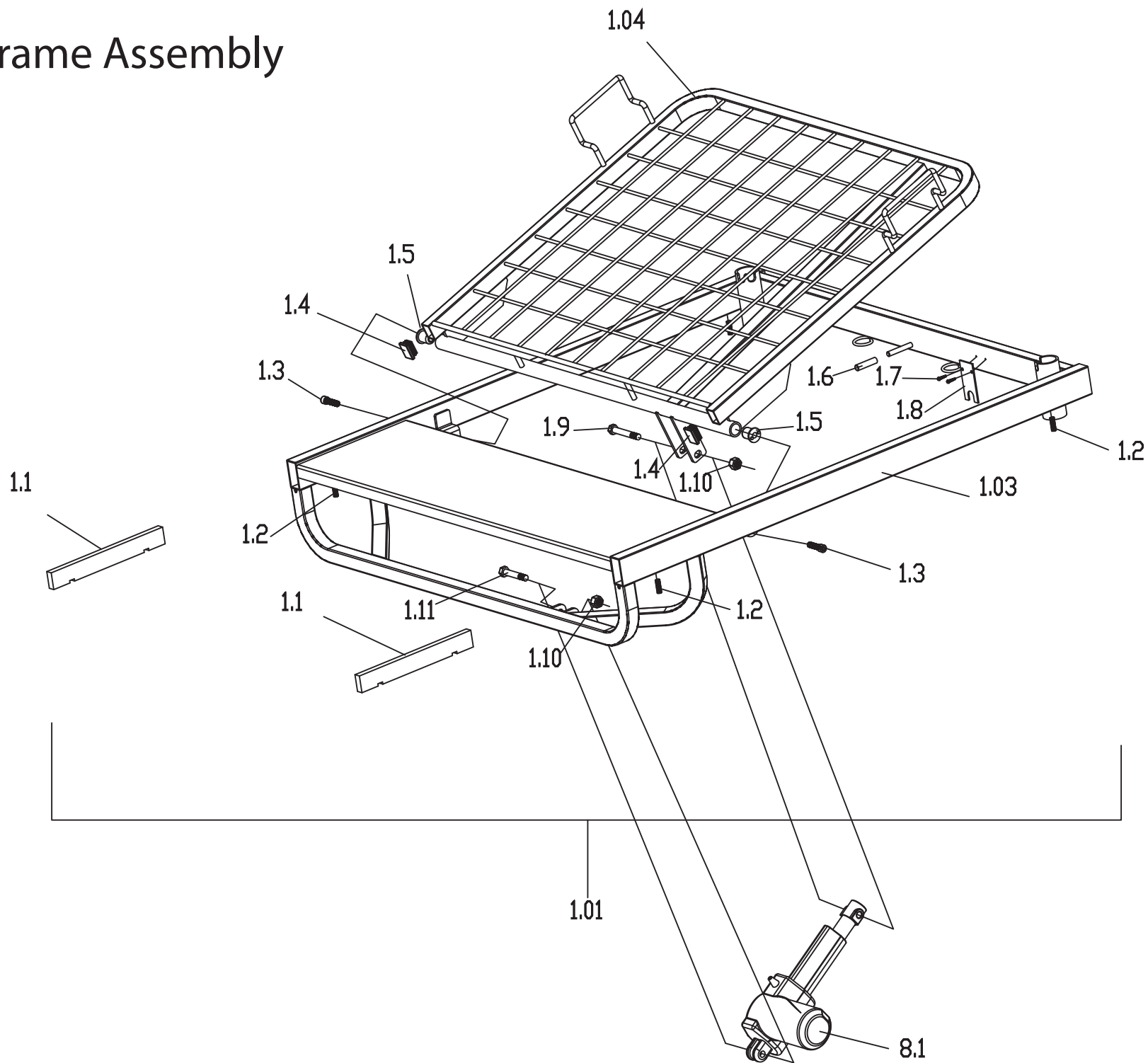


Spare Parts List

Siesta Mk2

Electric Adjustable Bed

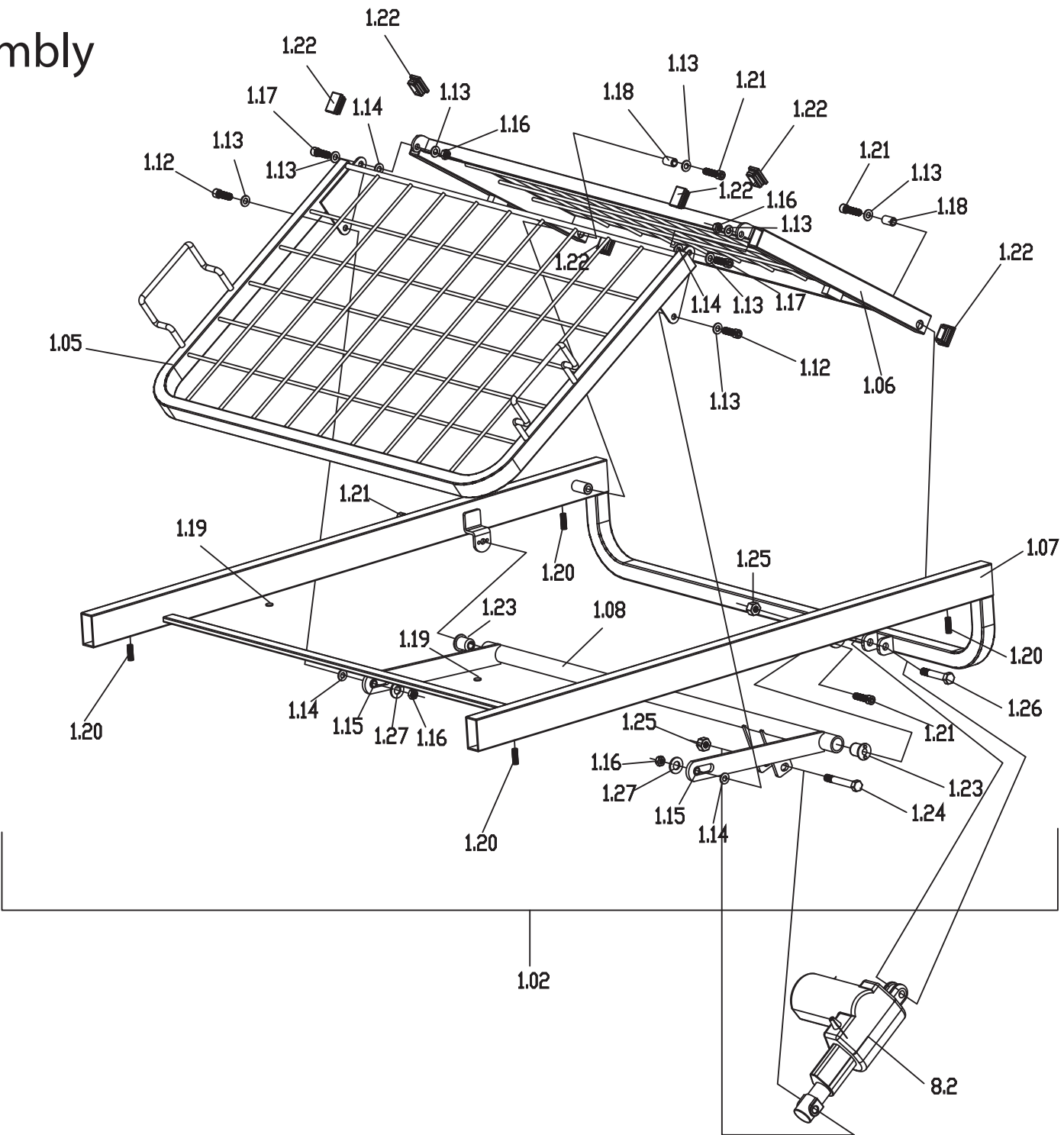
Head End Frame Assembly



Model: Siesta MAXX M5 Mk2

FIG	PARTS NO	DESCRIPTION	SPEC	QTY
1.01	3509AM28	GRAND HEAD FRAME ASS'Y,CREAM	CREAM	1
1.03	35029M04	HEAD FRAME ASS'Y,CREAM	CREAM	1
1.04	35029M05	HEAD SPRING ASS'Y,CREAM	CREAM	1
1.1	35029M12	BED FRAME LINK PLATE,CREAM	CREAM	2
1.2	50708M01	SCREW,M8x25L;WHITE	M8x25L;WHITE	2
1.3	50508001	SCREW,M8x35L;ZP(WHITE)	M8x35L;ZP(WHITE)	2
1.4	4360EM59	PLUG,PE	PE	2
1.5	4360EM58	BUSHING,PA6	PA6	2
1.6	4360FM04	PLASTIC SLEEVE,Φ7.5x1.5tx40L;PVC	Φ7.5x1.5tx40L;PVC	1
1.7	51904005	SCREW,M4x15L	M4x15L	2
1.8	35029M14	PLATE FOR BED FRAME,CREAM	CREAM	1
1.9	50510M04	SCREW,M10x60L;WHITE	M10x60L;WHITE	1
1.10	53210003	NYLON NUT,M10xP1.5	M10xP1.5	2
1.11	50510M03	SCREW,M10x55L;WHITE	M10x55L;WHITE	1
8.1	BT106	MOTOR FOR HEAD,T-motion DC24V 3.4A	T-motion DC24V 3.4A	1

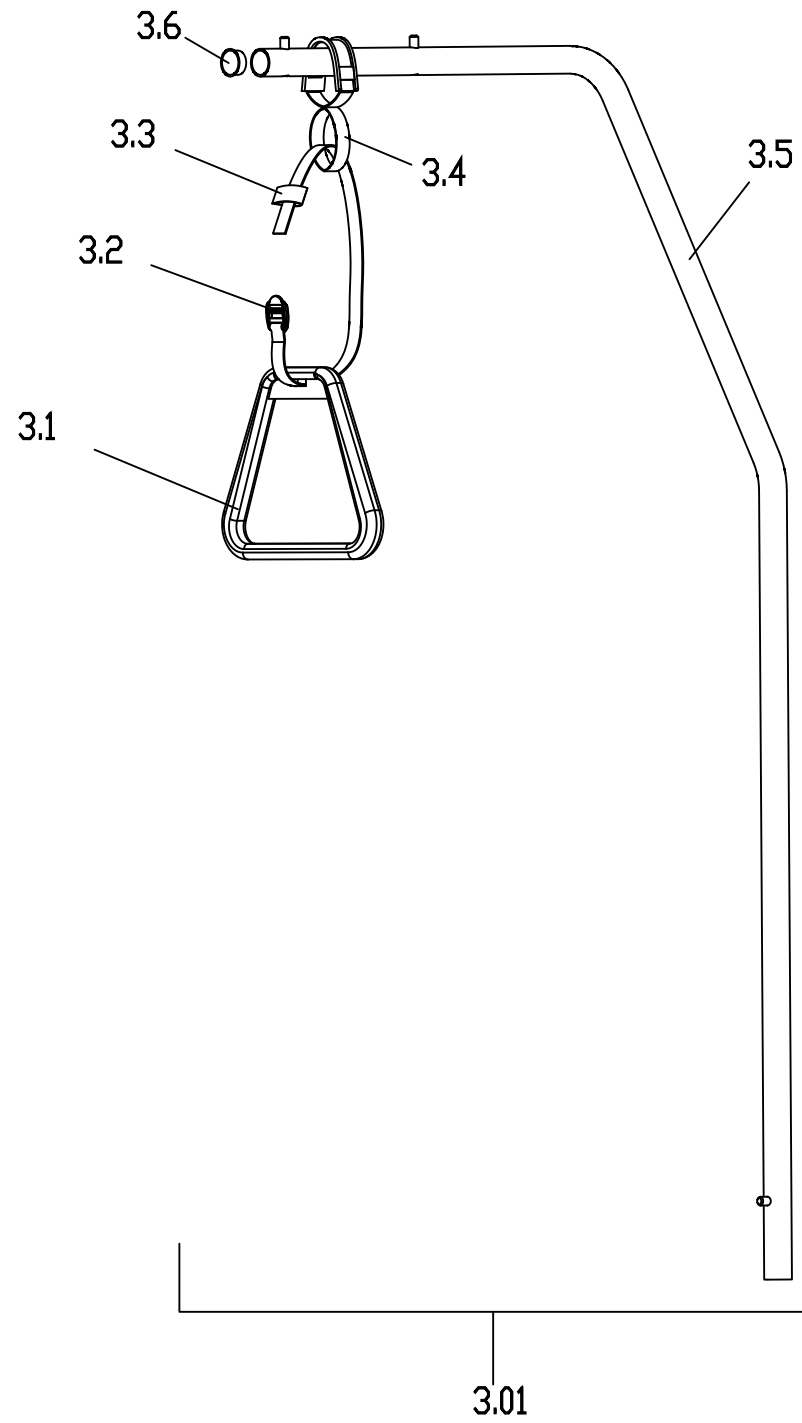
Foot End Frame Assembly



Model: Siesta MAXX M5 Mk2

1.02	3509AM29	GRAND FOOT FRAME ASS'Y,CREAM	CREAM	1
1.05	35029M08	FOOT SPRING ASS'Y,CREAM	CREAM	1
1.06	35029M07	CENTER SPRING ASS'Y,CREAM	CREAM	1
1.07	35029M06	FOOT FRAME ASS'Y,CREAM	CREAM	1
1.08	35029M09	FOOT SPRING AND ROTATING SHAFT ASS'Y,CREAM	CREAM	1
1.12	50508M07	SCREW,M8x25L	M8x25L	2
1.13	53108003	WASHER,M8x1.0T(ϕ 16)	M8x1.0T(ϕ 16)	8
1.14	53108M03	NYLON WASHER, Φ 16x Φ 8x1.6t	Φ 16x Φ 8x1.6t	4
1.15	4130AM42	BUSHING,S15C	S15C	2
1.16	53208010	NYLON NUT,M8	M8	4
1.17	50508M08	SCREW,M8x23L	M8x23L	2
1.18	4130AM41	BUSHING,S15C	S15C	2
1.19	4460AM04	RUBBER PAD,SILICONE RUBBER	SILICONE RUBBER	2
1.2	50708M01	SCREW,M8x25L;WHITE	M8x25L;WHITE	2
1.21	50508001	SCREW,M8x35L;ZP(WHITE)	M8x35L;ZP(WHITE)	2
1.22	4360EM59	PLUG,PE	PE	6
1.23	4360EM58	BUSHING,PA6	PA6	2
1.24	50510M04	SCREW,M10x60L;WHITE	M10x60L;WHITE	1
1.25	53210003	NYLON NUT,M10xP1.5	M10xP1.5	2
1.26	50510M03	SCREW,M10x55L;WHITE	M10x55L;WHITE	1
1.27	53108006	WASHER, Φ 23x1.8tx Φ 8.2;ZP;WHITE	Φ 23x1.8tx Φ 8.2;ZP;WHI	2
8.2	BT107	MOTOR FOR FOOT,T-motion DC24V 3.4A	T-motion DC24V 3.4A	1

Grab Handle Assembly

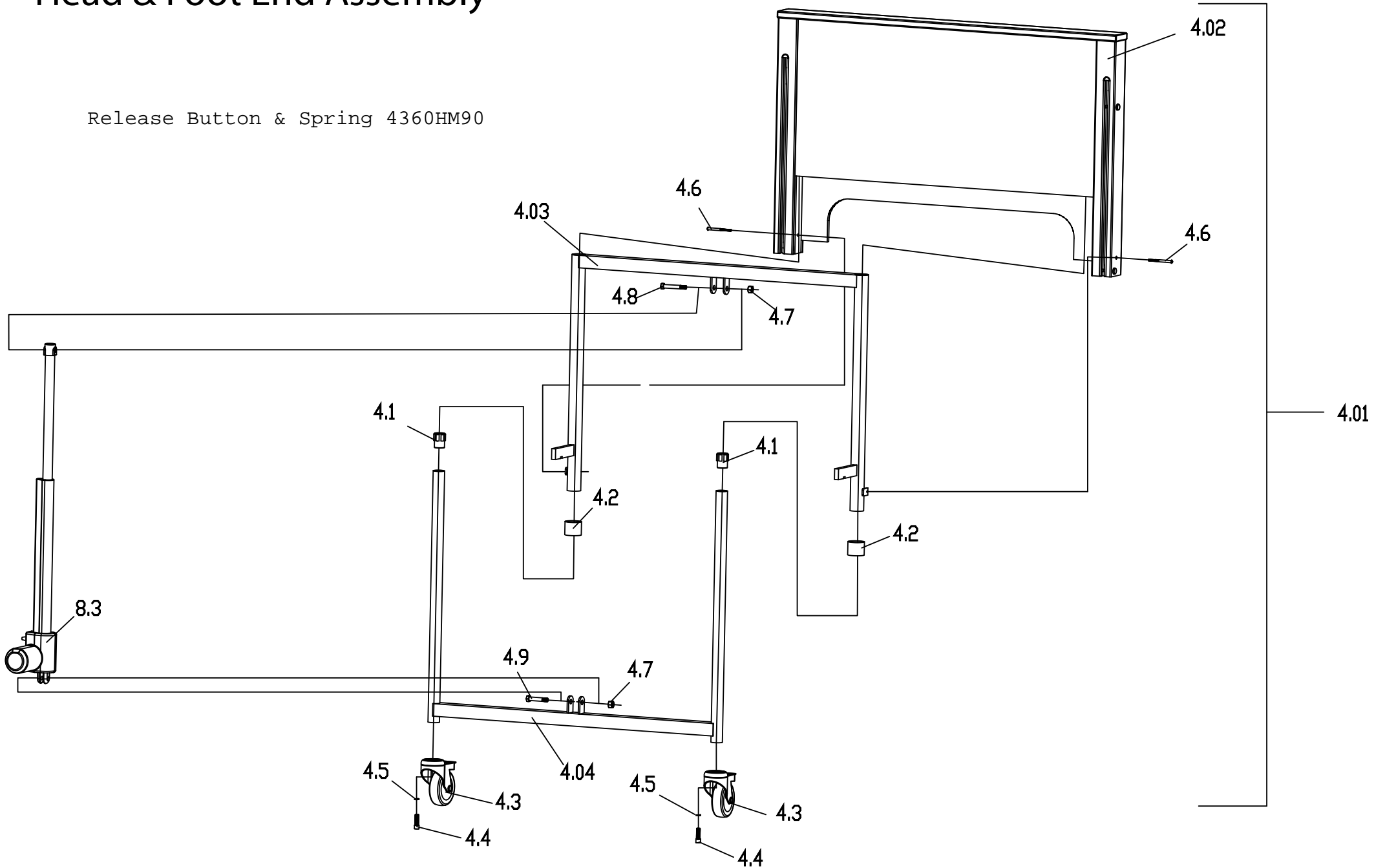


Model: Siesta MAXX M5 Mk2

3.01	3509AM33	TRAPEZE ASS'Y,CREAM	CREAM	1
3.1	4360EM70	RING,PP	PP	1
3.2	35036M12	BUCKLE ASS'Y,B312	B312	1
3.3	3509AM36	NYLON RING,50*20*3t	50*20*3t	1
3.4	3509AM35	HOOK ASS'Y		1
3.5	35029M13	TRAPEZE ASS'Y,CREAM	CREAM	1
3.6	4360EM68	PLUG,LDPE	LDPE	1

Head & Foot End Assembly

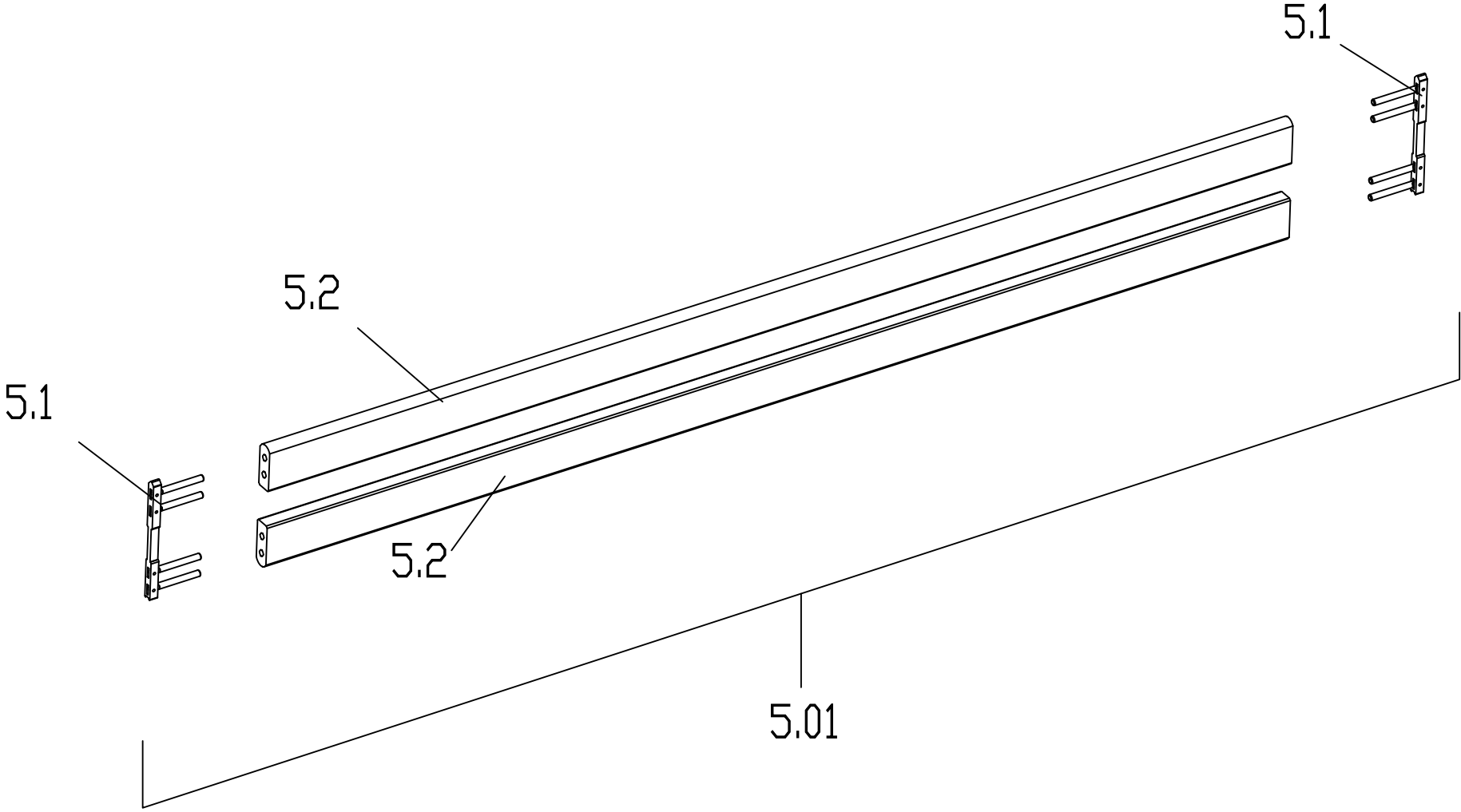
Release Button & Spring 4360HM90



Model: Siesta MAXX M5 Mk2

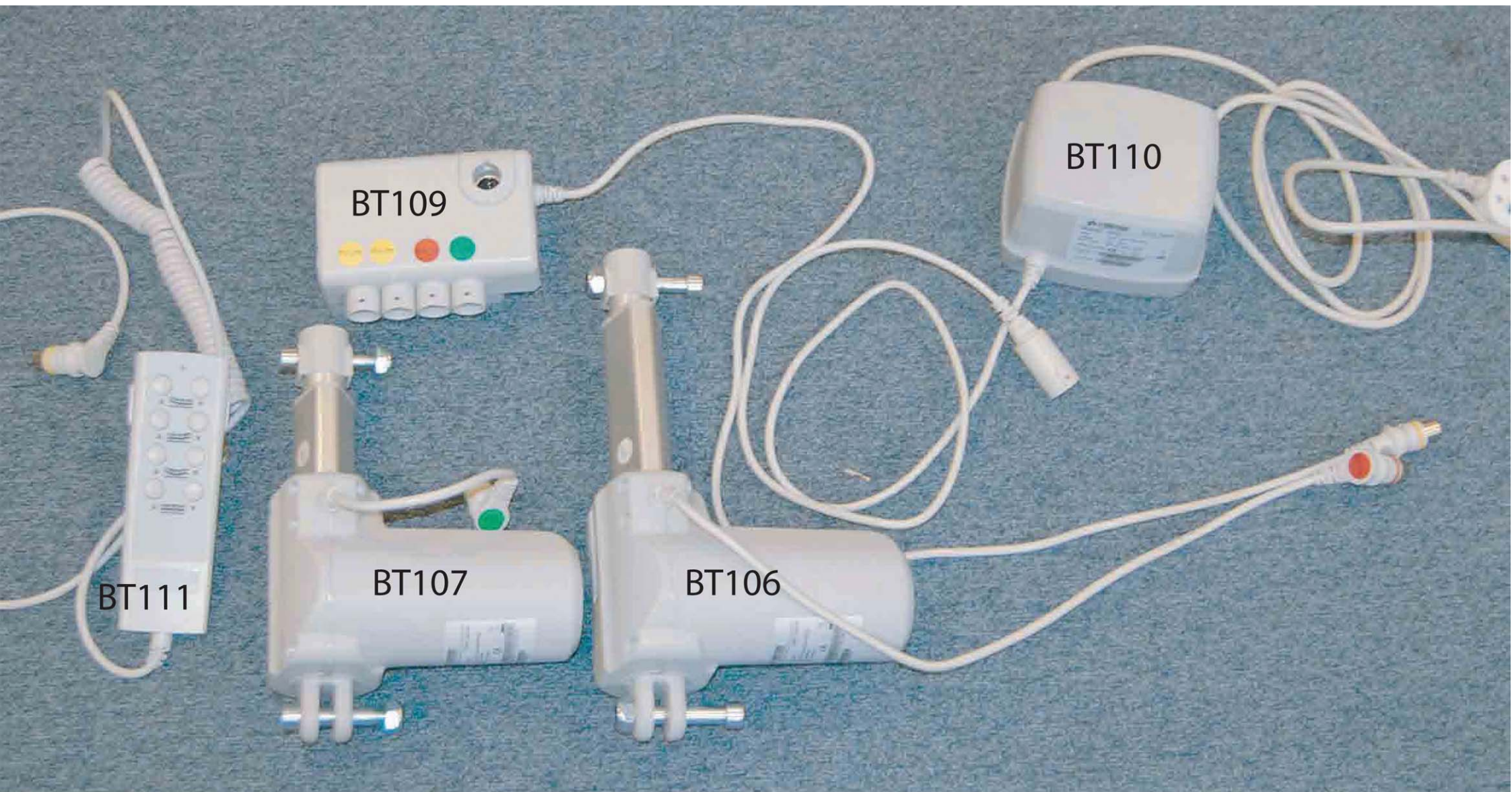
4.01	3509AM30	GRAND HEAD&FOOT BED ASS'Y,CREAM	CREAM	2
4.02	46700M25	HEAD&FOOT BOARD ASS'Y		2
4.03	35029M10	HEAD&FOOT BOARD FRAME ASS'Y,CREAM	CREAM	2
4.04	35029M11	BED FOOT ASS'Y,CREAM	CREAM	2
4.1	4360EM61	SLEEVE,PA6	PA6	4
4.2	4360EM62	SLEEVE,PA6+20%GF	PA6+20%GF	4
4.3	4360EM86	CASTOR		4
4.4	50510M05	SCREW,M10x30L;WHITE	M10x30L;WHITE	4
4.5	53110007	SPRING WASHER,M10	M10	4
4.6	50106M12	SCREW,M6x70L	M6x70L	4
4.7	53210003	NYLON NUT,M10xP1.5	M10xP1.5	2
4.8	50510M04	SCREW,M10x60L;WHITE	M10x60L;WHITE	1
4.9	50510M03	SCREW,M10x55L;WHITE	M10x55L;WHITE	1
8.3	BT108	MOTOR FOR BED,T-motion DC24V 3.4	T-motion DC24V 3.4	2

Bed Rail Assembly



Model: Siesta MAXX M5 Mk2

5.01	3509AM32	GRAND BED RAIL ASS'Y		2
5.1	46700M27	SUPPORT PILLAR ASS'Y,PA66+25%GF	PA66+25%GF	4
5.2	46700M26	RAIL BOARD		4



- BT111 8 Button Handset T-Motion (Safety Key - 40511-001-2)
- BT110 Transformer T-Motion
- BT109 Control Box T-Motion
- BT107 Legrest Motor T-Motion (Short)
- BT106 Backrest Motor T-Motion (Long)